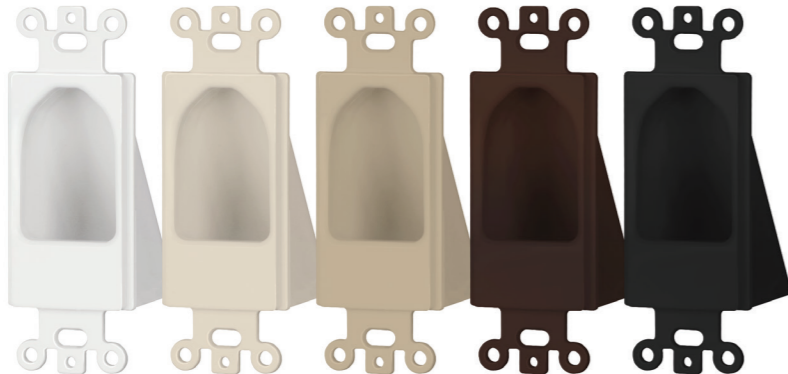


# Reverse Nose Décor Insert

DataComm Electronics' patented Reverse Nose Décor Insert is used to install low voltage cables behind your HDTV, amplifier or other audio video devices. The Reverse Nose Décor Insert is designed to be installed into a low voltage mounting bracket (sold separately) that is installed into the wall.

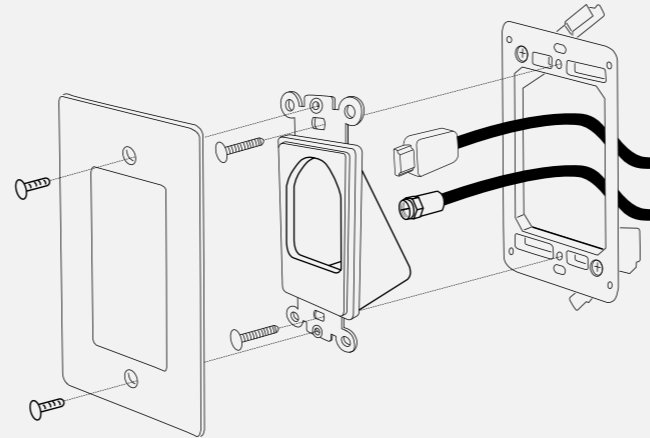
## Features

- Low profile design fits behind the industry's thinnest mounts and TV's
- Conceal multiple low voltage cables behind your flat panel TV
- Easily holds up to 6 cables
- Mounts flush with a décor style wall plate
- Mounts to a standard low voltage mounting ring, old work ring or mud ring
- Allows cable management internally rather than externally
- Perfect for eliminating connections at the wall
- Available in 5 colors: black, brown, ivory, lite almond, white
- Quick and easy to install



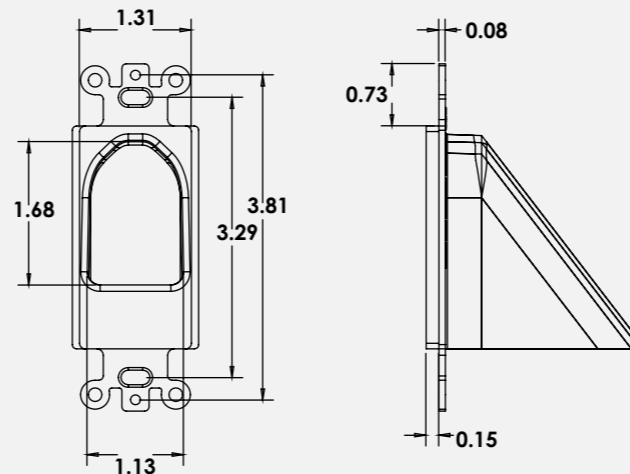
RoHS Compliant.  
This product is patent protected by  
U.S. Patent numbers: D553475, D554475 and 7390964.

## Install Décor Insert with Standard Wall Plate and Mounting Bracket SOLD SEPARATELY



45-0004-XX

Reverse Nose  
Décor Insert



Left: 45-0004-WH  
Right: 45-0016-WH



Part Number	Description
45-0004-BK	Reverse Nose Decor Insert, Black
45-0004-BR	Reverse Nose Decor Insert, Brown
45-0004-IV	Reverse Nose Decor Insert, Ivory
45-0004-LA	Reverse Nose Decor Insert, Lite Almond
45-0004-WH	Reverse Nose Decor Insert, White



**DATA COMM**  
ELECTRONICS

Sales Orders@datacommelectronics.com  
Support Info@datacommelectronics.com  
Office 770.448.0540