

Mini Nail Box

DataComm Electronics' Mini Nail Box is used to conceal low voltage cables behind smaller home theater and security equipment. The Mini Nail Box low profile design is ideal for concealing connections to components such as speakers, cameras, and other similar applications. Designed for new construction applications.

Features

- Low profile fits behind the industry's thinnest mounts and TV's
- Conceal low voltage cables that connect speakers, surveillance cameras, small displays and other components
- Face plate dimensions are 2" x 2"
- Brush opening dimensions are 0.77" x 0.87"
- Ideal for HDMI, security, or speaker cable pass-through
- Designed for new construction

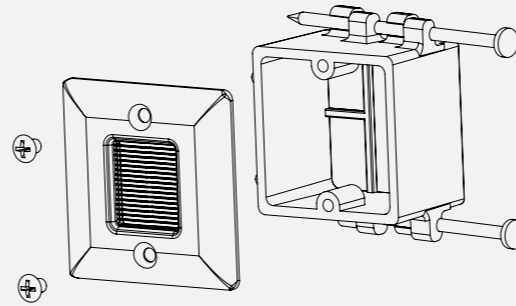
1 3/4" Hole Saw Plate

DataComm Electronics' 1 3/4" Hole Saw Plate is used to conceal low voltage cables behind smaller home theater and security equipment. The Hole Saw Plate's low profile design is ideal for concealing connections to components such as speakers, cameras, and other similar applications. Metal mounting wings are molded into the plate, creating a secure hold and eliminating the need for a mounting bracket.

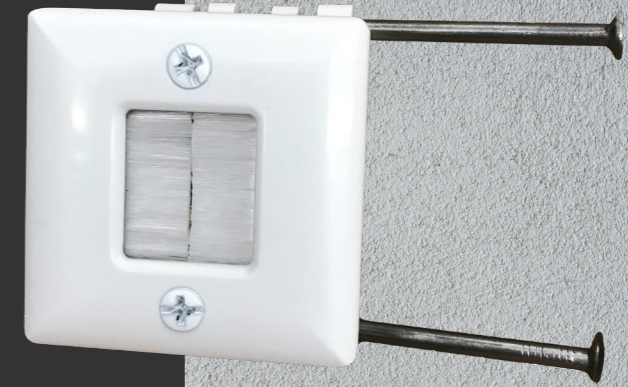
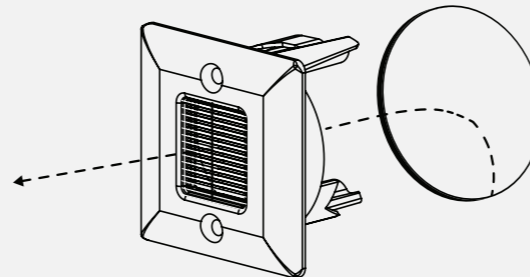
Features

- Low profile fits behind the industry's thinnest mounts and TV's
- Conceal low voltage cables that connect speakers, surveillance cameras, small displays and other components
- Face plate dimensions are 2" x 2"
- Brush opening dimensions are 0.77" x 0.87"
- Ideal for HDMI, security, or speaker cable pass-through
- Metal mounting wings are attached to the plate for a secure installation
- No low voltage mounting bracket required

45-0007-WH



45-0006-XX



Part Number	Description
45-0007-WH	Mini Nail Box, White
45-0006-BK	1 3/4" Hole Saw Plate, Black
45-0006-WH	1 3/4" Hole Saw Plate, White



DATA COMM
ELECTRONICS

Sales Orders@datacommelectronics.com

Support Info@datacommelectronics.com

Office 770.662.8205