

# Flexible Split Plate

DataComm Electronics' patented Split Plate with Flexible Opening to install low voltage cables behind your HDTV, amplifier or other audio video devices. With the split design, this Cable Plate can be installed around existing low voltage cables run through the wall, eliminating the need to re-pull wires keeping the opening in the wall covered.

## Features

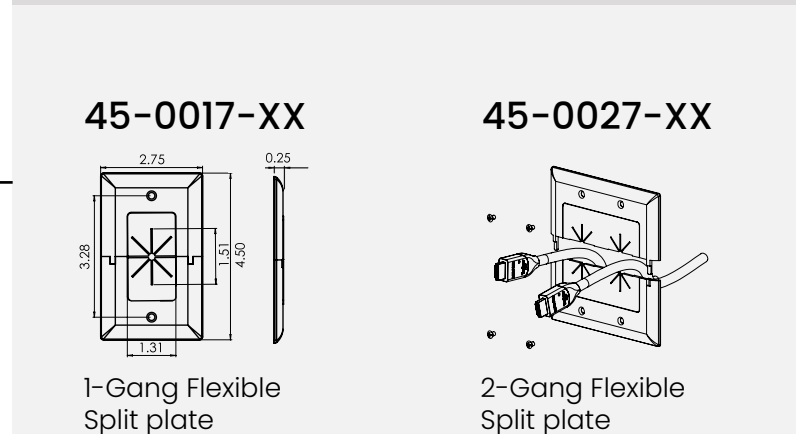
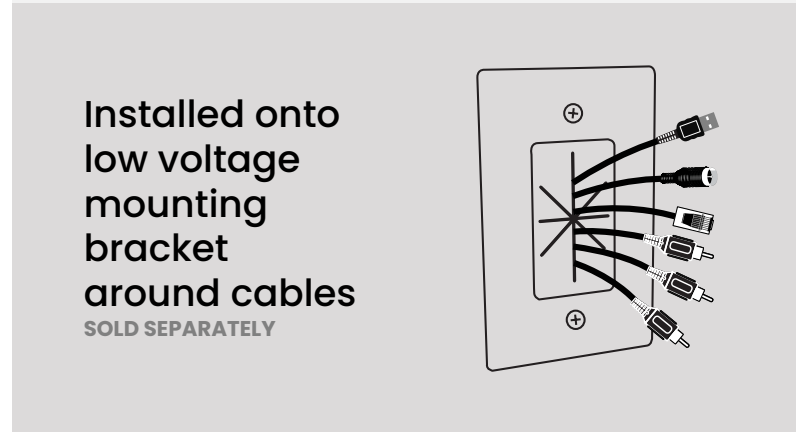
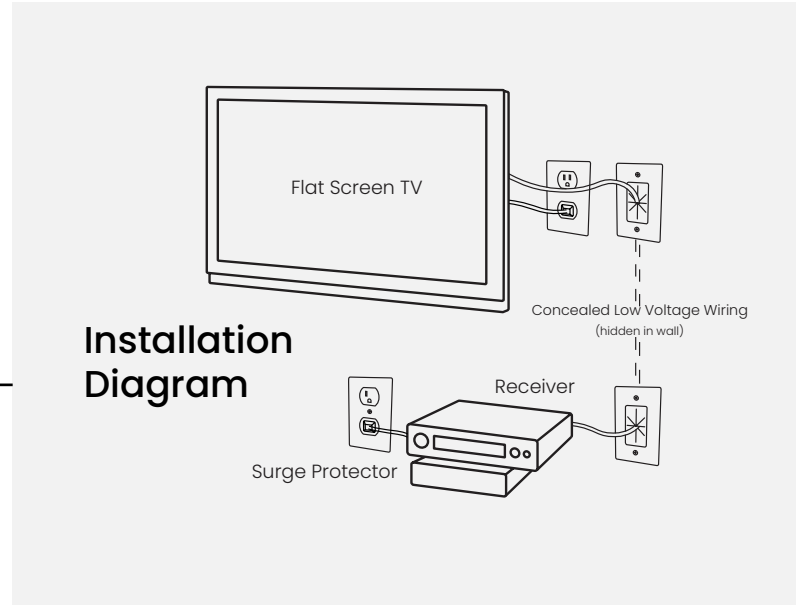
- Low profile design fits behind the industry's thinnest mounts and TV's
- Virtually seamless design
- Conceal multiple low voltage cables behind your flat panel TV
- Easily holds up to 6 cables
- Flexible opening helps keeps low-voltage pass-through area covered
- Perfect for eliminating connections at the wall
- Available in 4 colors: black, ivory, lite almond, white
- Quick and easy to install
- Mounts to any standard low voltage mounting ring, old work ring or mud ring

# 2-Gang Split Plate

DataComm Electronics' 2-Gang Split Plate with Flexible Opening is used to install low voltage cables behind your HDTV, amplifier or other audio video devices. The Split Plate is designed to be installed onto a low voltage mounting bracket (sold separately) that is installed into the wall.

## Features

- Virtually seamless design
- Flexible opening helps keep low-voltage pass-through area covered
- Conceal multiple low voltage cables behind your flat panel TV
- Easily holds up to 12 cables
- Available in 4 colors: black, ivory, lite almond, and white
- Mounts to a standard low voltage mounting bracket



Part Number	Description
<b>45-0017-BK</b>	1-Gang Split Plate w/ Flexible Opening, Black
<b>45-0017-IV</b>	1-Gang Split Plate w/ Flexible Opening, Ivory
<b>45-0017-LA</b>	1-Gang Split Plate w/ Flexible Opening, Lite Almond
<b>45-0017-WH</b>	1-Gang Split Plate w/ Flexible Opening, White
<b>45-0027-LA</b>	2-Gang Flexible Split Plate, Lite Almond
<b>45-0027-WH</b>	2-Gang Flexible Split Plate, White

RoHS Compliant.  
This product is patent protected by  
U.S. Patent numbers: 7495171.



**DATA COMM**  
ELECTRONICS

Sales Orders@datacommelectronics.com  
Support Info@datacommelectronics.com  
Office 770.448.0540