

Expandable Media Box

DataComm Electronics' Expandable Media Box with Duplex Receptacle/Duplex Surge Suppressor is designed to streamline power and cable management behind your HDTV. The expandable portion of the Media Box allows for maximum storage hidden behind your TV, while still allowing your TV mount to be flush to the wall.

Features

- Low profile design fits behind the industry's thinnest mounts and TV's
- Conceal multiple AV cables and accessories behind your HDTV or other display device
- Wall box storage capacity increases by 75% when the expandable portion is extended into the wall
- There are two openings inside of the Expandable Media Box, one on the top and one on the bottom. Three (3) interchangeable plates are included to cover these openings, openings, allowing for

multiple configuration options. The three (3) plates include:

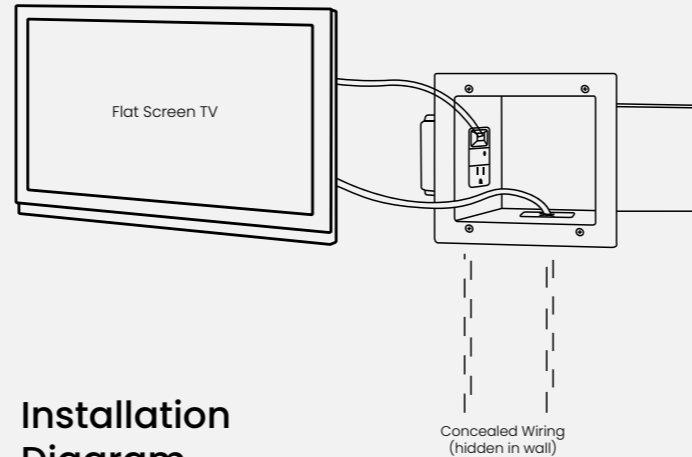
- Flexible Opening Plate
- 6-Port Keystone Plate
- Blank Plate
- 15 Amp/125 Volt Duplex Receptacle*
 - 45-0051-WH receptacle is tamper resistant
- Outlet box included
- Metal mounting wings are attached to the media plate and fasten tightly against the back of the drywall
- Quick and easy to install

Part # 45-0052-WH COMMERCIAL GRADE OUTLET FEATURES

- 20 =A/125V Duplex Receptacle* 5-20R:
 - 2 Pole
 - 3 Wire Grounding
 - Push-In Rear Connection and Side Screw Terminals
 - Tamper Resistant
- Steel Outlet Box* included:
 - 2 3/4" Single Gang
 - Contains 8 knockouts for conduit or armored cable mounting options

Part # 45-0061-WH ADDITIONAL SURGE SUPPRESSOR FEATURES

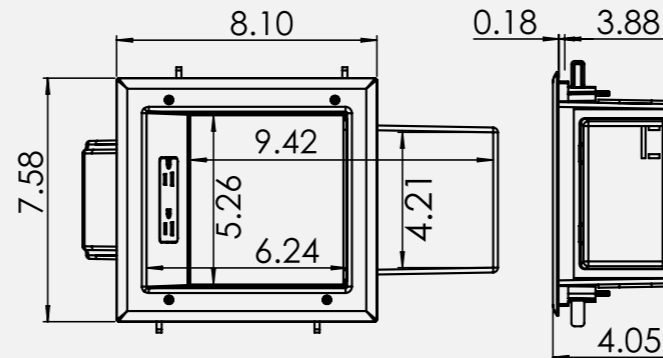
- 15A/125V Duplex Surge Receptacle*:
 - Maximum surge current - 15,000A Clamping response time - 1 ns
 - Hot/Neutral, Hot/Ground, Neutral/Ground
 - Total maximum surge dissipation - 480J



Installation Diagram

Use in conjunction with the Full-Size Rough-In Bracket (part #45-0102) for residential and commercial new construction.

45-0051-WH | 45-0052-WH | 45-0061-WH



Part Number	Description
45-0051-WH	Expandable Media Box with Duplex Receptacle, White
45-0061-WH	Expandable Media Box with Duplex Surge Suppressor, White
45-0052-WH	Expandable Media Box with 20 Amp Duplex Receptacle, White

RoHS Compliant.
*UL Listed Component.
Multiple Patents
Pending.



DATA COMM
ELECTRONICS

Sales Orders@datacommelectronics.com

Support Info@datacommelectronics.com

Office 770.448.0540